

Eccentric bushes

for side thrust pins GN 714 / GN 715

SPECIFICATION

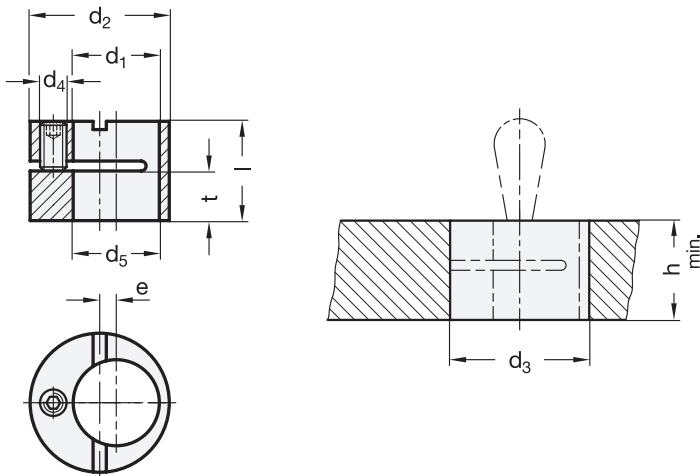
Steel
blackened

INFORMATION

Eccentric bushes GN 715.2 allows side thrust pins GN 715 (see page 860) / GN 714 (see page 862) to be adjusted. These bushes allow the side thrust pin to be precisely adjusted to suit the requirements for clamping of a component.

TECHNICAL INFORMATION

- ISO-Fundamental Tolerances (see page A21)



GN 715.2

Description	d1	d2 h9	d3 H7	d4	d5 +0.1	e	h min.	l -0.2	t	For side thrust pin-Ø	⚖
GN 715.2-6	6	12	12	M 4	6.2	2	10	9.9	4.4	3	5
GN 715.2-10	10	16	16	M 4	10.2	2	12	11.9	5.4	5 6	9
GN 715.2-12	12	18	18	M 4	12.2	2	14	13.9	6.6	8	13
GN 715.2-16	16	25	25	M 6	16.2	3	18	17.9	7.9	10	35

